

**Sistema**  
**Atlantis** 50x50 cm

**H. 56 / H. 300 cm**

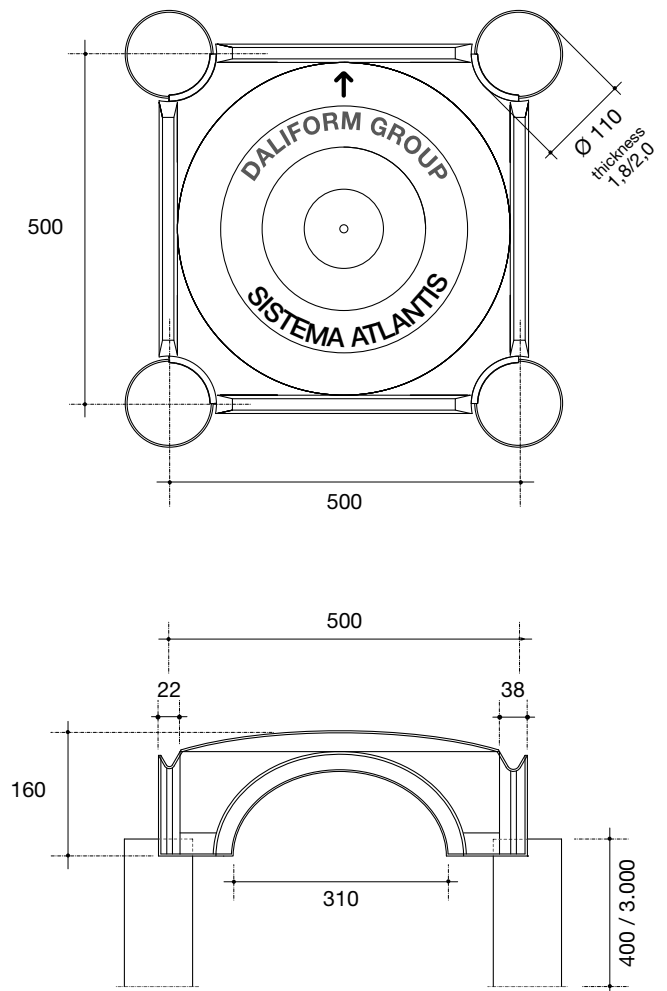
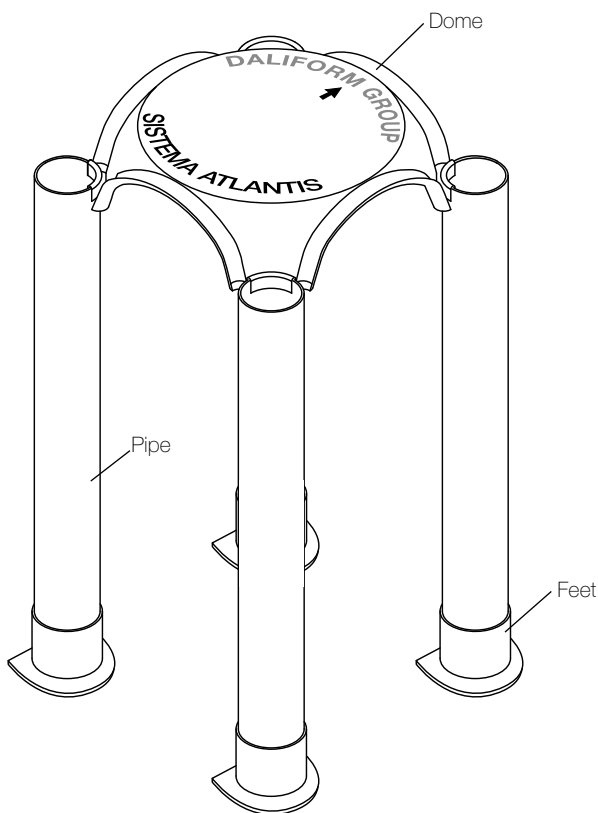


**APPLICATION**

**Sistema Atlantis** (*Atlantis System 50x50 cm*) is an advanced system for creating cavities in general, under-floor cavities and ventilated floors in newly constructed or restructured civil and industrial buildings, accumulation tanks, dispersion tanks, honeycomb rafts, low temperature cold rooms.

It is suited for creating thermally insulated cavities for cold rooms with or without forced ventilation. It is the ideal solution for creating accumulation or dispersion tanks and for pool restructuring. Thanks to custom sized elevator pipes, it is the ideal system for creating inclined or multilevel surfaces.

**Atlantis**, when used in combination with the special **Muro** formwork, represents an innovative, quick and economic solution for the creation of honeycomb or box foundation rafts (superrafts), a reduced use of concrete and steel makes it possible to obtain extreme stiffness even if the ground does not provide much load bearing capacity.



Measures are in mm.

Atlantis system includes, for each square meter, 4 Iglù formworks, 4 pipes, 4 feet.

## Technical data and packing

### SISTEMA ATLANTIS H 56 / H 300 cm

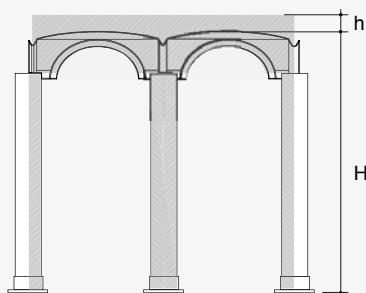


Useful size	cm	50 x 50
Height HC	cm	16
Weight	Kg	1,650
Height HG	cm	from 40 to 300
Pallet dimensions*	cm	110 x 110 x 250 h
Sq.mt. per pallet*	m <sup>2</sup> /PAL	75
Pieces per pallet*	pz/PAL	300
Pallet weight*	Kg/PAL	530

\*Referred to the dome only.  
The product is not affected if weathered.

### Formula to calculate concrete consumption

The formula considers the higher volume of concrete due to natural deflection of the formwork.



Ø 11 cm	$VCLC = h/100 + 0,028 + 0,037 \times H/100$
---------	---

VCLC = concrete volume in m<sup>3</sup>/m<sup>2</sup>  
h = height of upper slab in cm  
H = total height of Atlantis system, before concrete casting, in cm

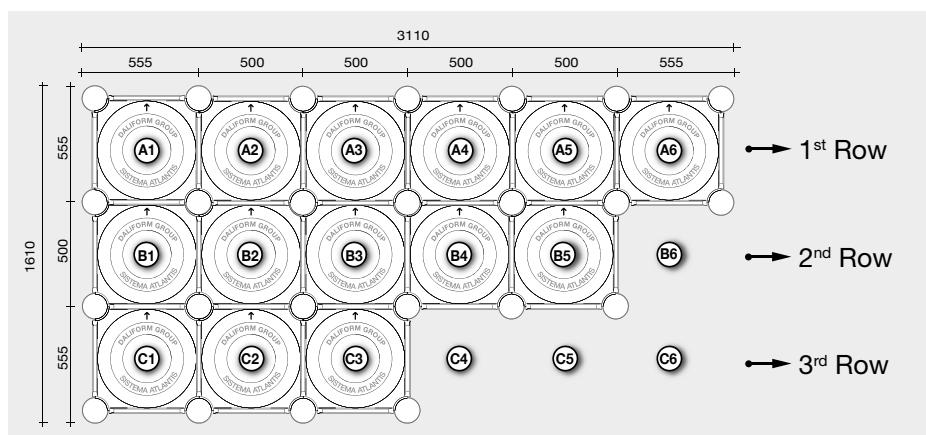
### Dry-stone time-exposure of system Atlantis 50x50 cm: 40-50 m<sup>2</sup>/h

#### Concrete casting prescription:

use concrete having adequate characteristics (concrete class C20/25 at least, diameter of aggregates proper to avoid segregation).  
**Respect ordinary concrete casting prescriptions.**

**⚠ CAREFUL!** The system Atlantis 50x50 cm, allows to cast a slab having maximum 30 cm. For thicker slabs it is necessary to order special formworks (which will be delivered with a proper declaration), prop adequately or realize two separated castings.

### Dry-stone laying sequence of system Atlantis 50x50 cm



To contact the technical office:  
Tel. +39 0422 208350  
tecnico@daliform.com  
To obtain updated technical cards, support material, new photos and case studies, go to [www.daliform.com](http://www.daliform.com)  
The technical consultancy is only valid for the Daliform Group construction systems.

rev. 08-01/16

The information contained in this catalogue could be changed. Before placing an order, request a confirmation or updated information from the DALIFORM GROUP, which reserves the right to make changes at any moment without notice. In consideration of recycled material, it is specified that there are tolerance margins caused by environmental factors.